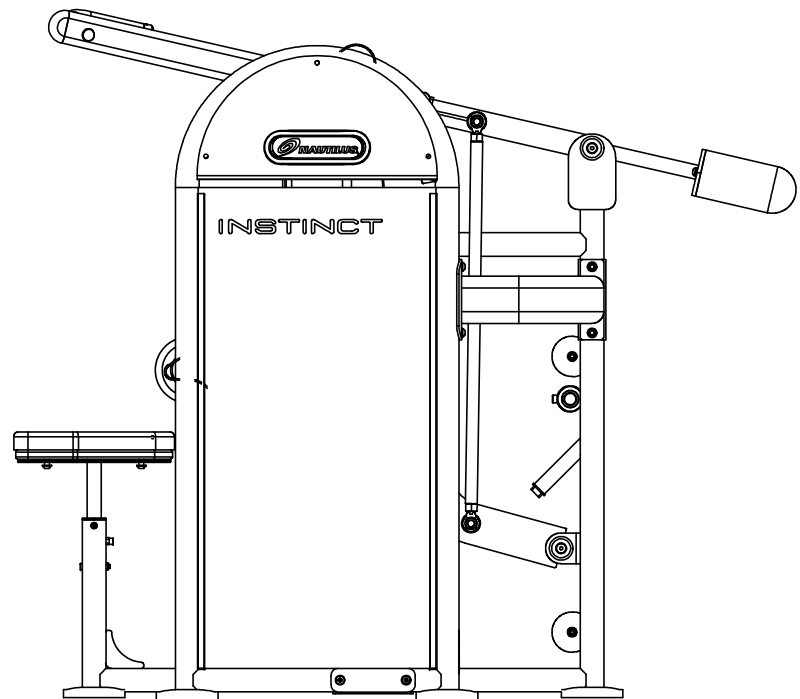
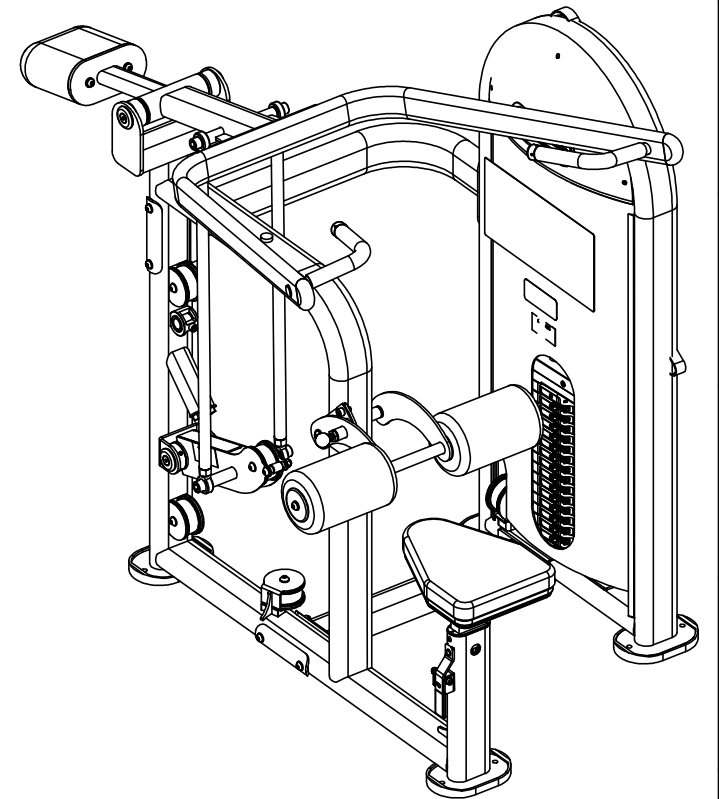
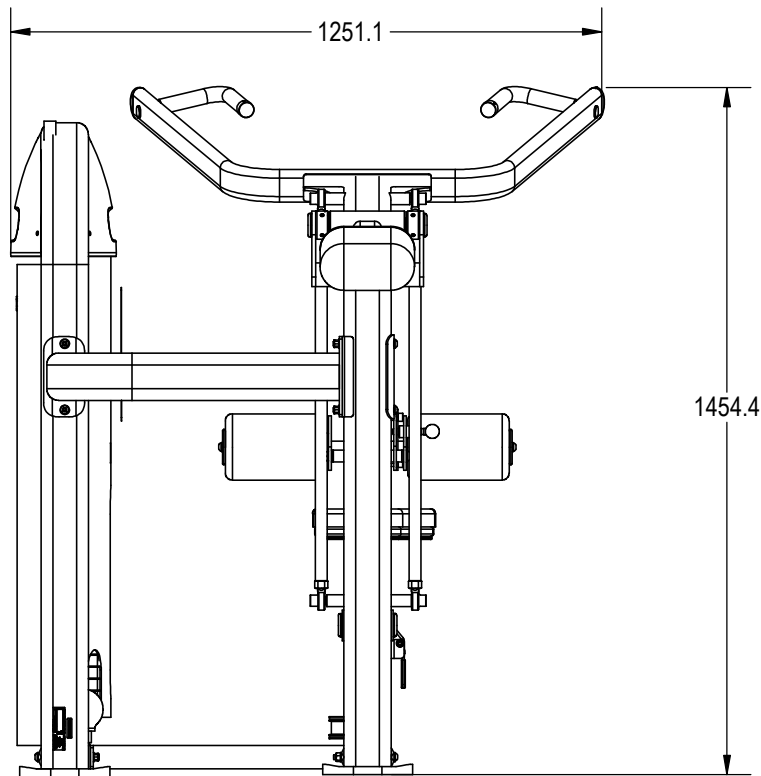
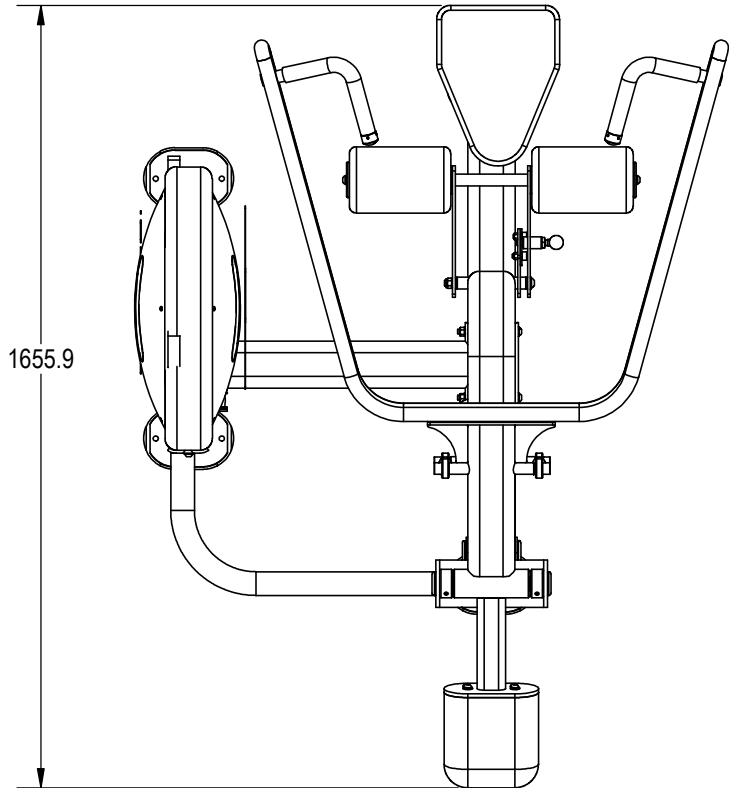


NOTES:

1. ASSEMBLE AND INSPECT PER SOP 620-7918..
2. INSTALL Kg STICKER AND AFFIX Lb STICKER TO INSIDE OF SHROUD WITH TAPE.
3. COLOR DICTATED BY THE SALES ORDER. REFERENCE THE MACHINES BOM FOR COMPONENTS CONTAINING -XX, -00XX AND -XXXXX.
  - a. COLOR: -XX COLOR DESIGNATOR AS SPECIFIED IN SOP 620-8222.
  - b. THE -XX CAN RESULT IN ONE COLOR FOR THE METAL SHROUD AND A DIFFERENT COLOR FOR THE METAL FRAME ALSO WITH A -XX LISTED ON THE BOM.
  - c. THE -00XX IS THE COLOR DESIGNATOR FOR UPHOLSTERY.
  - d. THE 5TH DESIGNATOR: "X" WITHIN -XXXXX DEFINES THE HEAD STRAP OR CUSTOM PRODUCTS BRAND. THIS IS SPECIFIED ON SALES ORDERS.
  - e. THE -XXXXX IS CREATED BY COMBINING THE -XX, -00XX AND THE 5TH DESIGNATOR.
  - f. ALL X'S SHOULD BE DEFINED ON THE SALES ORDER.

REVISIONS HISTORY				
REV.	DATE	DESCRIPTION	ECO	BY
A	8/3/2016	INITIAL RELEASE	15478	AM



**DOCUMENT STATUS:**

NOTICE OF PROPRIETARY INFORMATION

THIS DOCUMENT SHALL NOT BE REPRODUCED NOR SHALL THE INFORMATION CONTAINED HEREIN BE USED BY OR DISCLOSED TO OTHER EXCEPT AS EXPRESSLY AUTHORIZED BY CORE HEALTH & FITNESS, LLC.

CLASS OF WORK	UNLESS OTHERWISE SPECIFIED DIMS ARE IN mm. TOLERANCES FOR MEASURE OF LENGTH ARE:							ANGLES = ±2°
	0.5 to 3	>3 to 6	>6 to 30	>30 to 120	>120 to 400	>400 to 1000	>1000 to 2000	
FINE	±0.05	±0.05	±0.1	±0.15	±0.2	±0.3	±0.5	----
MEDIUM <b>X</b>	±0.1	±0.1	±0.2	±0.3	±0.5	±0.8	±1.2	±2
COARSE	±0.2	±0.3	±0.5	±0.8	±1.2	±2	±3	±4
VERY COARSE	----	±0.5	±1	±1.5	±2.5	±4	±6	±8

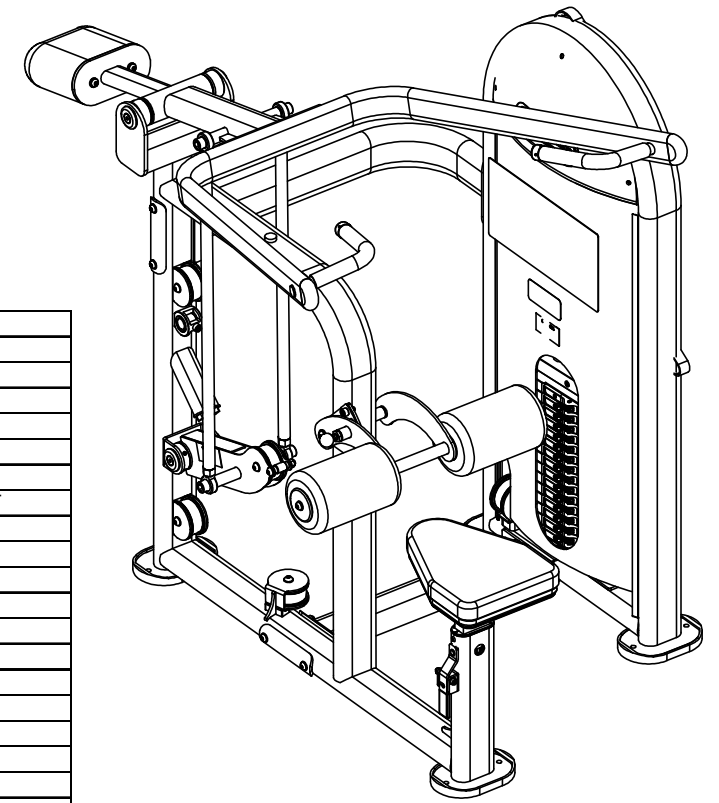
<b>MATERIAL</b> SEE BOM	THIRD ANGLE PROJECTION	
<b>FINISH</b> SEE NOTES		
<b>VENDOR:</b> N/A	<b>P/N:</b> N/A	

<b>CORE HEALTH &amp; FITNESS, LLC</b> 4400 NE 77th Ave., Suite 300 Vancouver, WA 98662		
CORE PART NO	REV	
<b>NL-S3310-29AGS</b>	<b>A</b>	
TITLE NL,SSS,LAT PULL DOWN,LNL		
SCALE: 1:33.3	SHEET 1 OF 3	SHEET SIZE: B

DRAWN	INITIAL	DATE
CHECKED		
APPROVED		
	U.O.M.	MM

9					8					7					6					5					4					3					2					1				
ITEM NO.	PART NUMBER	DESCRIPTION			QTY.	ITEM NO.	PART NUMBER	DESCRIPTION			QTY.	ITEM NO.	PART NUMBER	DESCRIPTION			QTY.	ITEM NO.	PART NUMBER	DESCRIPTION			QTY.	ITEM NO.	PART NUMBER	DESCRIPTION			QTY.	ITEM NO.	PART NUMBER	DESCRIPTION			QTY.									
J	1	050-5457	Label, S/N, Non-Powered, Primary, Core H&F			1	45	730-0892	SCREW,M8X55,SHS,SS			1	66	730-1118	SCREW, M10, BHC, HK, SS			4	J																									
	2	730-0194	PAD,SEAT,IN-B7201			1	46	730-0896	SCREW,M8X16,SET,SS			8	67	730-1119	SCREW, M10x35, BH, SS			2																										
	3	730-0200	PLUG, KNEE PAD, 75X10.5, S1012			2	47	730-0899	SCREW,M6X12,BHC,SS			2	68	730-1121	SCREW,M10X45,BHC,SS			2																										
	4	730-0216	PAD,FOOT,FRAME,WELDED			4	48	730-0907	WASHER,M10,SPLIT,LOCK,SS			2	69	730-1122	SCREW,M10X63,BHC,SS			8																										
I	5	730-0233	SHROUD,REAR,IN-S5100			1	49	730-0908	WASHER,M10,FLAT,SS			43	70	730-1134	SCREW,M12X184,BHC,SS			1																										
	6	730-0236	PIN, BELT ANCHOR			2	50	730-0910	WASHER,M8,BELLEVILLE,SS			8	71	730-1138	SCREW,M8X20,BHC,SS			6	I																									
	7	730-0237	SCREW, M10x30, SHS,SS			2	51	730-0911	ADJUSTMENT,HANDLE,COMPRESSION SPING			1	72	730-1149	HEIM JOINT, BOLT			4																										
	8	730-0292	CAP, ARMS, IN-S2100			2	52	730-0912	SPACER,26MM ID,60MM OD			2	73	730-1155	SCREW, 10-32X3.2, SET			4																										
	9	730-0316	ASSY,SPRING PIN,IN-2120			1	53	730-0913	BUMPER			1	74	730-1333	SHROUD,LNL,S3320			1																										
H	10	730-0384	LOGO,INSTINCT			1	54	730-0930	ASSY,EXTENSION,ADJUSTMENT,HANDLE			1	75	730-1400	WSA-LNL,225LB,15H			1	H																									
	11	730-0385	LABEL,CAUTION,PINCH POINT			2	55	730-0935	ASSY,ADJUSTMENT,HANDLE,END,SLEEVE			1	76	730-1491	LABEL,INSTRUCTIONS,LOCK N LOAD			1																										
	12	730-0551	COUNTERBALANCE, IN-S3310			1	56	730-0936	ASSY,TUBE,INSERT,SLEEVE			2	77	730-7228-XXX	STICKER, PLACARD, INSTRUCTION, LLLPD, NAUT.			1																										
	13	730-0562	BUMPER,STACK,60MM			2	57	730-1067	STOP,ROM,IN-S33100			1	78	731-0335	STICKER, MADE IN CHINA, IP			1																										
	14	730-0565	CAP, END, HANDLE			2	58	730-1068	ROLLER,LEG,PAD,M140X215			2	79	731-7311	STICKER,NAUTILUS,DECO,45MMX191MM			2																										
G	15	730-0656	CAP,50MM OD			4	59	730-1071	LEVERAGE ARM,HANDLE,GRIP,SLEEVE			2							G																									
	16	730-0662	WEIGHT STACK,GUIDE RAIL			2	60	730-1099	BUSHING,12MM IDX 13MM			2																																
	17	730-0673	ISO 15 RBB - 1025 - 14,SI,NC,14_68			4	61	730-1102	NYLOC SELF LOCKING NUT, ST STL A2 ISO			1																																
	18	730-0679	STOPPER, IN-S1011			2	62	730-1103	NUT,M8,NYLON PATCH,SS			3																																
F	19	730-0680	BELT,GUIDE,M19X39			1	63	730-1104	NUT,M10,NYLON PATCH,SS			16							F																									
	20	730-0702	SHROUD,UPPER			2	64	730-1109	SCREW,M10X80,BH,SS			2																																
	21	730-0704	CAP, 25MM, ALUMINUM			2	65	730-1112	SCREW, M10x130, BH, SS			6																																
	22	730-0719	WEIGHT STACK,FRAME			1																																						
	23	730-0721	PULLEY, 75MM			7																																						
E	24	730-0778	BELT			1												E																										
	25	730-0831	ASSY,MAIN FRAME			1																																						
	26	730-0832	ASSY,PIVOT,KNEE,ADJUSTMENT			1																																						
	27	730-0833	CROSSBEAM,UPPER,FRAME			1																																						
	28	730-0834	LEVERAGE ARM,U-SHAPE,IN-S3310			1																																						
D	29	730-0835	PIVOT,FRAME,PULLY,BRACKET			1												D																										
	30	730-0836	SEAT POST,ADJUSTMENT,IN-S3310			1																																						
	31	730-0837	SHAFT,M25X767			2																																						
	32	730-0838	SHAFT,M25X104			1																																						
	33	730-0839	WASHER,M10,LOCKING,IN-S3310,SS			2																																						
C	34	730-0840	CROSSBEAM,LOWER,FRAME			1												C																										
	35	730-0845	SHROUD,MOUNTING,U-STYLE,CLIP			6																																						
	36	730-0846	SHAFT,25MM X 234			1																																						
	37	730-0858	BUMPER, 45X25			1																																						
	38	730-0870	SCREW,M10X25,FHM,HK,SS			4																																						
B	39	730-0876	WASHER,M12,FENDER,SS			1												B																										
	40	730-0884	NUT,M16,HEX,SS			4																																						
	41	730-0885	NUT,M6,JAM,HEX,SS			2																																						
	42	730-0887	SCREW,M16X40,SHS,SS			4																																						
	43	730-0889	SCREW, M8X20, SHC			2																																						
A	44	730-0891	SCREW, M8X30, SHS,SS			1												A																										

REPLACEMENTS				
Item	Star Trac P/N	Description	Inray P/N	Qty
8	730-0316	ASSY,SPRING PIN,IN-D2120	IN-D21201900	1
3	730-0216	PAD,FOOT,FRAME,WELDED	IN-B75030900	4
1	730-0194	PAD,SEAT,IN-B7201	IN-B72012000	1
22	730-0151	ASSY ENDCAP, 25.4MM, ALUM	IN-B72001200	1
			YZGB7710-32*3.2DS2	2
			SLEEVE RUBBER	2 FT
25	730-0215	KIT, BELT REPLACEMENT	IN-S21002800	15.5
			IN-S10121700	2
			GB70M10*30A2-70	1
57	730-0153	KIT, SEAT SLEEVE	IN-B72010700	1
			GB818M6*12A2-70	1
			GB41M6A2-70	1
24	730-0229	KIT, PULLEY REPLACEMENT, 76 MM, SINGLE	IN-S51101000	1
			PNLM10*63A2-70	1
			NM10A2-70	1
			GB9510A2-70	2
55	730-0251	KIT ADJUSTMENT HANDLE, IN-D1014	IN-B72011400	1
			HF1642303	1
			GB70M8*55A2-70	1
			GB958A2-70	1
27	730-0305	KIT, KNEE PAD, IND3340	IN-D33400900	1
			IT80053800	1
			HF1652100	1
			GB9510A2-70	1
			GB9310DG12	1
			PNLM10*30*30A2-70	1
			IN-S33100900	1
			IN-S10111200	2
58	730-0317	KIT, KNEE ADJUSTMENT PLATE, IN-S3310	GB70M8*20A2-70	2
N/A	730-0185	KIT, HARDWARE, IN-S3310	N/A	n/a

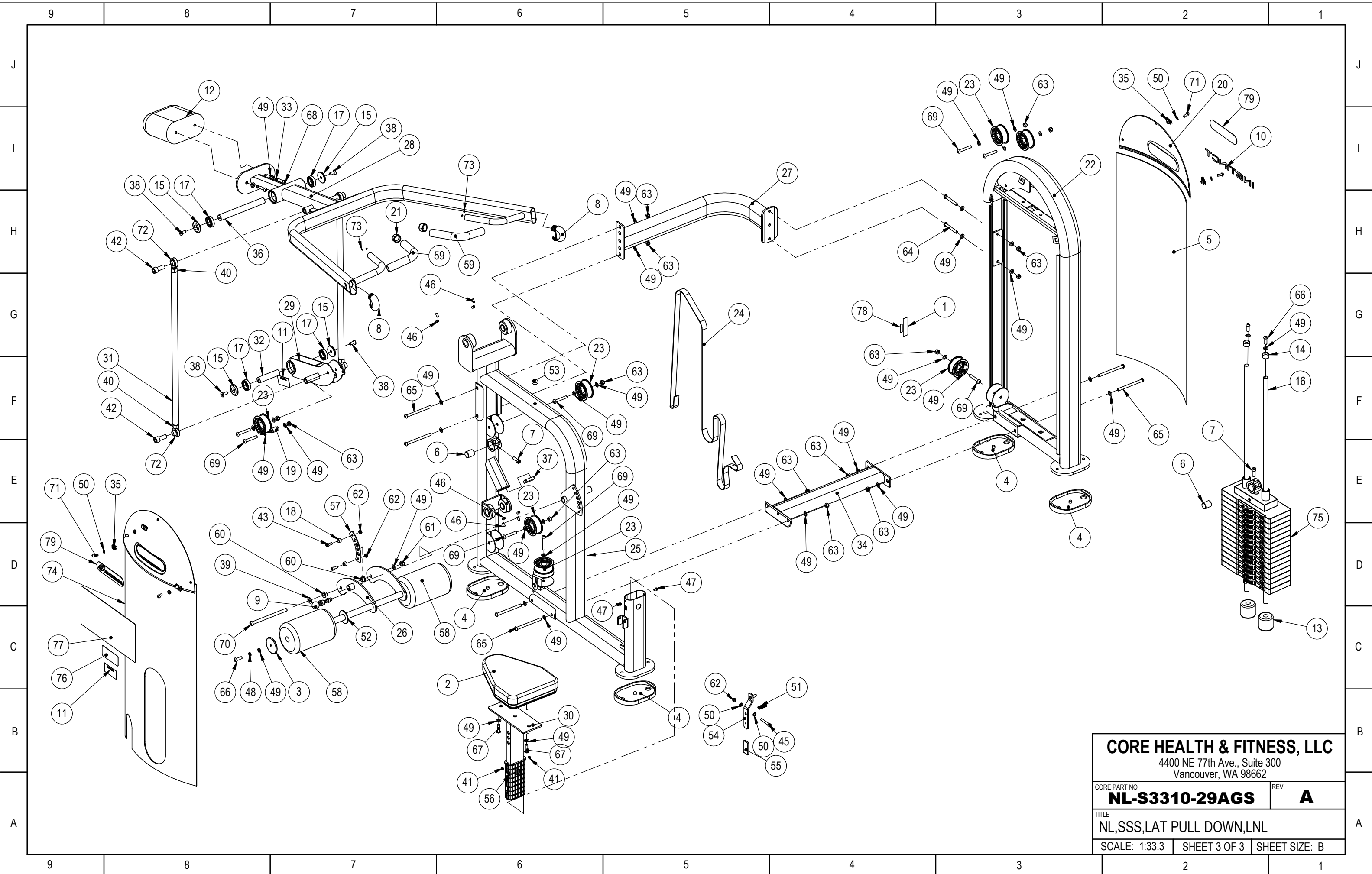


**CORE HEALTH & FITNESS, LLC**  
 4400 NE 77th Ave., Suite 300  
 Vancouver, WA 98662

CORE PART NO: **NL-S3310-29AGS** REV: **A**

TITLE: **NL,SSS,LAT PULL DOWN,LNL**

SCALE: 1:33.3 SHEET 2 OF 3 SHEET SIZE: B



<b>CORE HEALTH &amp; FITNESS, LLC</b>		
4400 NE 77th Ave., Suite 300 Vancouver, WA 98662		
CORE PART NO	REV	
<b>NL-S3310-29AGS</b>	<b>A</b>	
TITLE		
NL,SSS,LAT PULL DOWN,LNL		
SCALE: 1:33.3	SHEET 3 OF 3	SHEET SIZE: B